

INTRODUCTION

The Metravi VIT-20 uses infrared technology and is capable of non-contact temperature measurements with a visual camera at the touch of a button. The built-in laser pointer increases target accuracy, while the backlit LCD and handy push-buttons combine for convenient, ergonomic operation.

IT can be used to measure the surface temperature of the objects that are difficult to be measured by traditional (contact) thermometers (such as moving objects, or where the surface has electric current or the objects which are dangerous to be touched).

Also features USB PC Interface for convenient data transfer.

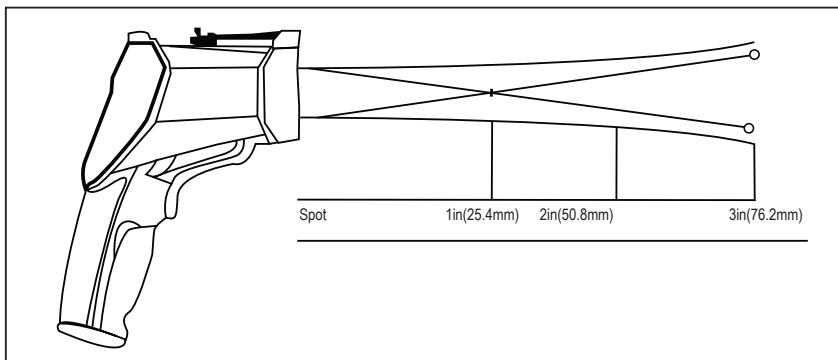
FEATURES

- 2.2" TFT LCD display
- 640*480 pixels MicroSD memory card
- Image (JPEG) and video (AVI)
- Humidity and Air Temperature
- Dual laser targeting
- Type-K thermocouple probe for contact temperature measurements
- Adjustable Emissivity
- High-accuracy
- Fast response time
- Measures Dewpoint temperature and Wet Bulb temperature



Distance & Spot Size

As the distance (D) from the object increases, the spot size (S) of the area measured by the unit becomes larger.



*Technical Specifications & Appearance are subject to change without prior notice

SPECIFICATIONS

IR temperature measurement

- **Temperature Range** : -50 to 1850°C(-58 to 3362°F)
- **D:S** : 50:1
- **Accuracy** : $\pm 1\% \pm 1.0^\circ\text{C}$ (1.8°F) 20 to 500°C (68 to 932°F)
 $\pm 1.5\%$ 500 to 1 000°C (932 to 1832°F)
 $\pm 2.0\%$ 1000 to 1850°C (1832 to 3362°F)
 $\pm 3.5^\circ\text{C}$ (6.3°F) -50 to 20°C (-58 to 68°F)
- **Display resolution** : 0.1°C (0.1°F) <1000
1°C (1°F) > 1 000
- **Repeatability** : $\pm 1.5^\circ\text{C}$ (2.7°F) -50 to 20°C (-58 to 68°F)
 $\pm 0.5\%$ or $\pm 0.5^\circ\text{C}$ (0.9°F) 20 to 1000°C (68 to 1832°F)
 $\pm 1.0\%$ 1000 to 2200°C (1832 to 3992°F)
- Response Time** : 150mS
- Spectral Response** : 8-14um
- Emissivity** : Digitally adjustable form 0.1 0 to 1.00

Type-K temperature measurement

- Temperature Range** : -50 to 1370°C (-58 to 2498°F)
- Accuracy** : $\pm 0.5\% \pm 1.5^\circ\text{C}$ (2.7°F) 0 to 1370°C (32 to 2498°F)
 $\pm 2.5^\circ\text{C}$ (4.5°F) -50 to 0°C (-58 to 32°F)
- Display resolution** : 0.1°C (0.1°F) < 1 000
1°C (1°F) > 1 000

Air Temperature And Relative Humidity Measurement

- Air Temperature Range** : 0 to 50°C (32 to 122°F)
- Dewpoint Temperature Range:** 0 to 50°C (32 to 122°F)
- Relative Humidity Range** : 0 to 100% RH
- Air temperature Accuracy** : $\pm 0.5^\circ\text{C}$ (0.9°F) 10 to 40°C
 $\pm 1.0^\circ\text{C}$ (1.8°F) others
- Dewpoint temperature Accuracy** : $\pm 0.5^\circ\text{C}$ (0.9°F) 10 to 40°C
 $\pm 1.0^\circ\text{C}$ (1.8°F) others
- Relative Humidity Accuracy** : $\pm 3\%$ RH 40% to 60%
 $\pm 3.5\%$ RH 0% to 40% and 60% to 80%
 $\pm 5\%$ RH 0% to 20% and 80% to 100%
- Operating Temperature** : 0 to 50°C(32 to 122°F)
- Storage Temperature** : -10 to 60°C(14 to 140°F)
- Relative Humidity** : 10 to 90%RH non-condensing
- Display** : 2.2" 320*240 color LCD with backlight

Power

- Battery** : Rechargeable battery
- Battery Life** : About 4 hours continuous use
- Battery Charge Time** : About 2 hours with AC adapter or USB connection
- Size(H*W*L)** : 205mm*62mm*155mm
- Weight** : 410g



*Technical Specifications & Appearance are subject to change without prior notice